

**BLOCK NO. 2**

**街区計算**

街区略図

工区

3

ブロック

乙

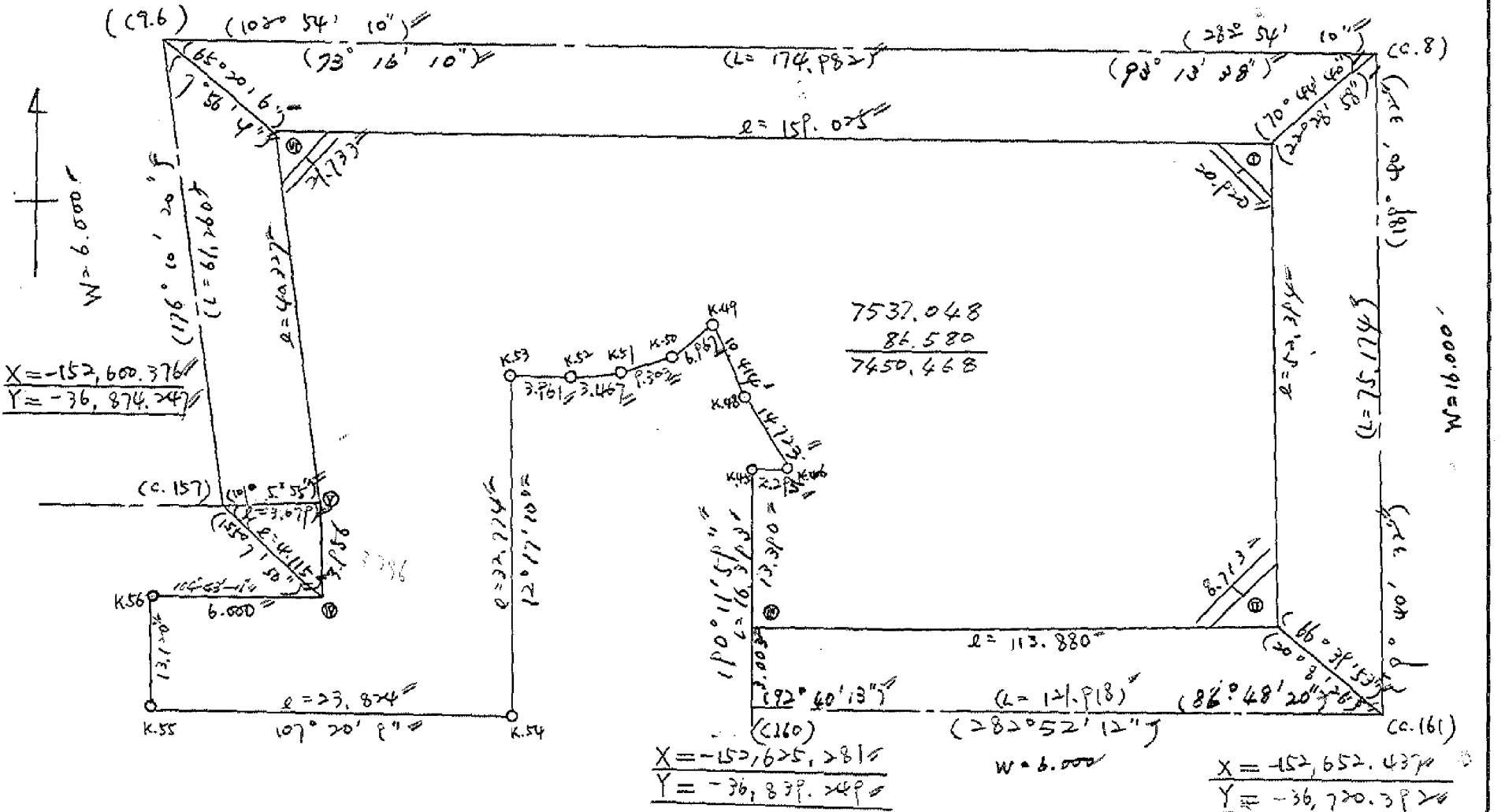
記入者

点検者

$$\begin{aligned} X &= -152,539.253 \\ Y &= -36,878.337 \end{aligned}$$

$$\begin{aligned} X &= -152,578.330 \\ Y &= -36,707.762 \end{aligned}$$

$$W = 39.500$$



# 面積計算書

工区

①

ブロック

②

計算者



計算者



備考

全体

点	①	②	③	④	⑤	⑥	③ × ⑤	② × ⑥
	X	X-(定数)	X <sub>n-1</sub> -X <sub>n+1</sub>	Y	Y-(定数)	Y <sub>n-1</sub> -Y <sub>n+1</sub>	+	-
I	596.040 <sup>-152</sup>	96.040 <sup>-152.500</sup>	87.160 <sup>-36</sup>	718.897	18.897 <sup>-36.700</sup>	146.209		1647.062526
II	647.690	147.690	26.285	727.698	27.698	119.820		17096.215800
III	622.325	122.325	38.543	838.717	138.717	108.648	5366.569331	13290.366600
K45	609.147	109.147	12.722	836.346	136.346	4.620	1734.593812	504.259140
K46	609.603	109.603	14.068	834.097	134.097	4.666	1886.476596	511.189392
K48	595.079	95.079	24.926	831.682	131.682	2.904	3282.305532	276.109416
K49	584.677	84.677	5.621	831.193	131.193	4.578	737.435853	387.651206
K50	589.458	89.458	7.569	836.260	136.260	13.942	1031.251940	1247.223436
K51	592.246	92.246	2.314	845.135	145.135	12.309	335.862396	1135.456014
K52	591.772	91.772	2.151	848.569	148.569	7.023	219.571919	666.514756
K53	590.095	90.095	30.346	852.158	152.158	10.563	6617.386668	951.673485
K54	622.118	122.118	24.924	859.132	159.132	29.716	2966.205968	3628.858488
K55	615.019	115.019	19.657	881.874	181.874	18.942	3575.097218	2178.689898
K56	602.461	102.461	11.033	878.074	178.074	9.623	1964.690442	983.932983
IV	603.986	103.986	1.695	872.271	172.271	6.881	291.999345	715.527666
V	600.766	100.766	43.456	871.193	171.193	1.636	7429.362008	166.813176
VI	660.530	60.530	4.726	873.907	173.907	152.296	821.884482	9218.476880

面積計算書

工区

3

ブロック

ノ

計算者

精算者



備考

全体

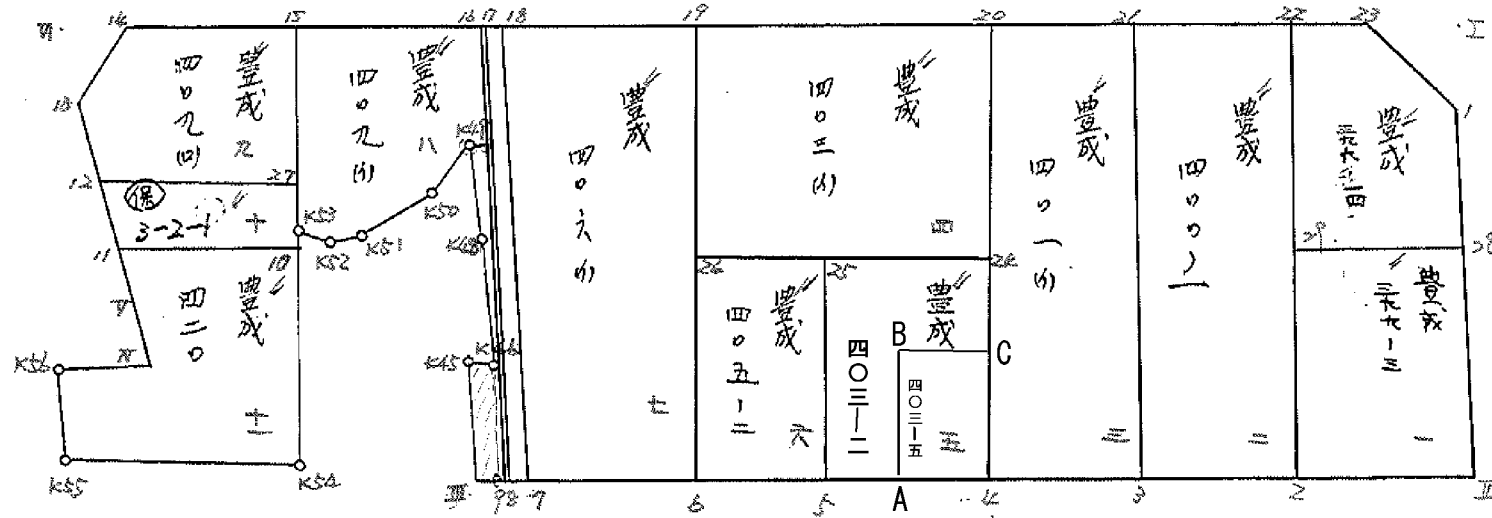
点	①	②	③	④	⑤	⑥	③ ×	⑤	② ×	⑥
	X	X-(定数)	X <sub>n-1</sub> -X <sub>n+1</sub>	Y	Y-(定数)	Y <sub>n-1</sub> -Y <sub>n+1</sub>	+	-	+	-
							27399.987538 //	12325.891416 //	26251.406837 //	4325.502959 //
							15076.096122 //			15076.096122 //
							$V_2 = 7537.048061$			
			$7537.06 - (49.92 + 36.66) = 7450.46$							

# 算 地 画

BNo. 2



\* K56~74の計算は  
2.462 = 1.71



# 面積計算書

工区

3

ブロック

2

計算者



精算者



備考

1. 變成'399-3'  
2. 變成'400-1'

点	①	②	③	④	⑤	⑥	③ × ⑤		② × ⑥	
	X	X-(定数)	X <sub>n-1</sub> -X <sub>n+1</sub>	Y	Y-(定数)	Y <sub>n-1</sub> -Y <sub>n+1</sub>	+	-	+	-
<del>I</del>	<del>605.898</del>	<del>105.898</del>	<del>+ 53.883</del>	<del>720.577</del>	<del>20.577</del>	<del>- 0.947</del>			<del>1108.750491</del>	<del>100.285406</del>
<del>II</del>	<del>647.690</del>	<del>147.690</del>	<del>+ 37.150</del>	<del>727.698</del>	<del>27.698</del>	<del>+ 27.657</del>			<del>1027.595800</del>	<del>4084.662330</del>
<del>Z</del>	<del>642.998</del>	<del>142.998</del>	<del>- 55.696</del>	<del>768.234</del>	<del>48.234</del>	<del>+ 8.860</del>	<del>2686.440866</del>			<del>1266.962280</del>
<del>22</del>	<del>591.994</del>	<del>91.994</del>	<del>- 49.191</del>	<del>736.558</del>	<del>36.558</del>	<del>- 19.589</del>	<del>1798.324578</del>			<del>1802.070466</del>
<del>23</del>	<del>593.807</del>	<del>93.807</del>	<del>+ 13.904</del>	<del>728.645</del>	<del>28.645</del>	<del>- 15.981</del>			<del>398.280086</del>	<del>1499.129667</del>
							<del>4480.765662</del>	<del>2534.126371</del>	<del>3401.485529</del>	<del>5357.624610</del>
							<del>1750.139071</del>			<del>1950.139071</del>
									<del>1/2 = 975.06</del>	
<del>22</del>	<del>591.994</del>	<del>91.994</del>	<del>+ 54.999</del>	<del>736.558</del>	<del>36.558</del>	<del>- 5.765</del>			<del>2010.653442</del>	<del>530.345410</del>
<del>Z</del>	<del>642.998</del>	<del>142.998</del>	<del>+ 47.018</del>	<del>768.234</del>	<del>48.234</del>	<del>+ 29.121</del>			<del>2267.866212</del>	<del>4164.264758</del>
<del>3</del>	<del>639.012</del>	<del>139.012</del>	<del>- 54.999</del>	<del>765.679</del>	<del>65.679</del>	<del>+ 5.765</del>	<del>3612.279321</del>			<del>801.406180</del>
<del>21</del>	<del>587.999</del>	<del>87.999</del>	<del>- 47.018</del>	<del>753.999</del>	<del>53.999</del>	<del>- 29.121</del>	<del>2538.924982</del>			<del>2562.618879</del>
							<del>6151204.353</del>	<del>4278.519654</del>	<del>3072.964229</del>	<del>4965.648938</del>
							<del>1872.624649</del>			<del>1872.624649</del>
									<del>1/2 = 936.34</del>	





# 面積計算書

工区

3

ブロック

2

計算者

精算者



備考

3. 豊成 401 (9)  
4. 豊成 403 (9)

点	①	②	③	④	⑤	⑥	③ × ⑤		② × ⑥	
	X	X-(定数)	X <sub>n-1</sub> -X <sub>n+1</sub>	Y	Y-(定数)	Y <sub>n-1</sub> -Y <sub>n+1</sub>	+	-	+	-
21	<sup>-152</sup> 587.999	<sup>-152.500</sup> 87.999	+ 54.741	<sup>-36</sup> 753.999	<sup>-36.700</sup> 53.999	- 4.593			2955.95925	404.179407
3	639.012	139.012	+ 47.294	766.679	65.679	+ 27.958			3106.222626	7886.497496
4	635.293	135.293	- 54.741	781.957	81.957	+ 4.593	6486.408137			621.400769
20	584.271	84.271	- 47.294	770.272	70.272	- 27.958	3323.443968			2356.048618
							7809.252105	6062.181825	2760.228025	4507.898245
							1747.670220			1747.670220
									1/2 = 873.83	
20	<sup>-152</sup> 584.271	<sup>-152.500</sup> 84.271	+ 33.658	<sup>-36</sup> 770.272	<sup>-36.700</sup> 70.272	- 26.751			2365.214976	2254.333521
24	610.428	110.428	+ 18.666	776.262	76.262	+ 38.735			1423.506492	4277.428580
26	602.937	102.937	- 33.658	809.007	109.007	+ 26.751	3668.957606			2753.667687
19	576.770	76.770	- 18.666	803.013	103.013	- 38.735	1922.800658			2973.685950
							5571.798264	3788.721468	5228.019671	7021.096267
							1803.076796			1803.076796
									1/2 = 901.53	

分筆後の座標なし

# 面積計算書

工区

3

ブロック

2

計算者

林

精算者



備考

5. 墨成 403 (10) -  
6. 墨成 405 - 2 -

点	①	②	③	④	⑤	⑥	③ × ⑤	② × ⑥
	X	X-(定数)	X <sub>n-1</sub> -X <sub>n+1</sub>	Y	Y-(定数)	Y <sub>n-1</sub> -Y <sub>n+1</sub>	+	-
<del>24</del>	<del>810.428</del>	<del>10.428</del>	<del>+29.012</del>	<del>776.262</del>	<del>76.262</del>	<del>-12.432</del>	<del>2212.513144</del>	<del>129.640896</del>
<del>4</del>	<del>635.293</del>	<del>35.293</del>	<del>+20.723</del>	<del>781.957</del>	<del>81.957</del>	<del>+23.824</del>	<del>1198.394911</del>	<del>840.820632</del>
<del>5</del>	<del>631.151</del>	<del>31.151</del>	<del>-29.012</del>	<del>800.086</del>	<del>100.086</del>	<del>+12.432</del>	<del>2903.695032</del>	<del>387.269232</del>
<del>25</del>	<del>606.281</del>	<del>6.281</del>	<del>-20.723</del>	<del>794.389</del>	<del>94.389</del>	<del>-23.824</del>	<del>1956.023247</del>	<del>149.638544</del>
							<del>4859.718279</del>	<del>3910.908055</del>
							<del>948.810224</del>	<del>948.810224</del>
							$\frac{1}{2} = 474.40$	
25	606.281	6.281	+28.214	796.389	94.389	-8.921	2663.091246	56.032801
5	631.151	31.151	+21.530	800.086	100.086	+20.316	2154.851580	632.863716
6	627.811	27.811	-28.214	814.705	114.705	+8.921	3236.286870	248.101931
26	602.937	2.937	-21.530	809.007	109.007	-20.316	2346.920710	59.668092
							5583.207586	4817.942826
							765.264754	115.700893
								880.765647
								765.264754
							$\frac{1}{2} = 382.63$	

# 面積計算書

工区

3

ブロック

2

計算者

精算者

備考

豊成403-5

点	①	②	③	④	⑤	⑥	③ × ⑤		② × ⑥	
	X	X - (定数)	X <sub>n-1</sub> - X <sub>n+1</sub>	Y	Y - (定数)	Y <sub>n-1</sub> - Y <sub>n+1</sub>	+	-	+	-
		- 20.671		- 778.608	- 78.608					
4	- 635.293	- 35.293	- 12.172	781.957	- 81.957	- 74.073	997.580604			
A	- 632.843	- 32.843	17.071	792.681	- 92.681	- 7.375		1582.157351		496.678389
B	- 618.222	- 18.222	12.172	789.332	- 89.332	14.073		1087.349104		242.217125
C	- 620.671	- 20.671	- 17.071	778.608	- 78.608	7.375	1341.917168			256.438206
		- 35.293		781.957	- 81.957					152.448625
						合計	2337.497772	2669.506455	738.895514	408.886831
						差		2337.497772	408.886831	
						差. 31		330.008683	330.008683	
						1/2		165.0043415	165.0043415	
						面積		165.00m <sup>2</sup>	165.00m <sup>2</sup>	

# 面積計算書

工  
区

ブ  
ロ  
ック

計  
算  
者

精  
算  
者

備  
考

豊成403-2

点	①	②	③	④	⑤	⑥	③ × ⑤		② × ⑥	
	X	X - (定数)	X <sub>n-1</sub> - X <sub>n+1</sub>	Y	Y - (定数)	Y <sub>n-1</sub> - Y <sub>n+1</sub>	+	-	+	-
		- 18.222		- 789.332	- 89.332					
A	- 632.843	- 32.843	- 12.927	- 792.681	- 92.681	- 10.754	1198.272649		353.193622	
B	- 631.151	- 31.151	26.562	- 790.086	- 100.086	- 1.708		2658.484332	53.205908	
25	- 606.281	- 6.281	20.723	- 794.389	- 94.389	23.824		1956.023247		149.638544
24	- 610.428	- 10.428	- 14.390	- 776.262	- 76.262	15.781	1097.410180			164.564268
C	- 620.671	- 20.671	- 7.794	- 778.608	- 78.608	- 13.070	612.670752		270.167970	
B	- 618.222	- 18.222	- 12.172	- 789.332	- 89.332	- 14.073	1087.349104		256.438206	
		- 32.843		- 792.681	- 92.681					
						合計	3995.702685	4614.507579	933.007706	314.202812
						差		3995.702685	314.202812	
						差 3'		618.804894	618.804894	
						1/2		309.402447	309.402447	
						面積		309.40m <sup>2</sup>	309.40m <sup>2</sup>	

# 面積計算書

工区

3

ブロック

2

計算者



精算者



備考

7. 豊成 40661-  
9. 豊成 40910-

点	①	②	③	④	⑤	⑥	③ × ⑤		② × ⑥	
	X	X-(定数)	X <sub>n-1</sub> -X <sub>n+1</sub>	Y	Y-(定数)	Y <sub>n-1</sub> -Y <sub>n+1</sub>	+	-	+	-
19	-152 576.770	-152.500 76.770	+55.862	-36 803.013	-36.800 3.013	-9.354			168.312206	718.10658
6	627.811	127.811	+46.919	814.705	14.705	+29.733			689.943895	3800.204463
7	623.689	123.689	-55.862	832.746	32.746	+9.354	1829.257052			1156.986906
18	571.949	71.949	-46.919	826.059	26.059	-29.733	1128.824221			2139.259617
							2958.081273	858.256101	2857.366197	4957.191369
							2099.825172			2099.825172
								1/2 = 1049.91		
15	-152 566.679	-152.500 66.679	+25.150	-36 847.065	-36.800 47.065	-13.755			1183.684756	917.169645
27	597.636	87.636	+16.452	861.623	51.623	+25.317			849.301596	2218.629978
12	583.131	83.131	-18.373	872.382	72.382	+21.695	1329.874486			1803.527045
13	569.261	69.261	-20.647	873.318	73.318	-7.004	1513.796746			485.104044
14	562.486	62.486	-2.582	865.378	65.378	-26.253	168.805996			1640.392652
							3012.477228	2032.986346	3042.666141	4022.157023
							979.490882			979.490882
								1/2 = 489.74		

分筆後の座標なし

# 面積計算書

工区

3

ブロック

2

計算者



精算者



備考

8. 壁成 409 (4)

点	①	②	③	④	⑤	⑥	③	×	⑤	②	×	⑥
	X	X-(定数)	X <sub>n-1</sub> -X <sub>n+1</sub>	Y	Y-(定数)	Y <sub>n-1</sub> -Y <sub>n+1</sub>	+		-	+		-
16	571.278 <sup>752</sup> "	-152.560		-36	-36,820					393,710,908		128,445,142
9	523.020"	63.020	+ 46.341	826.988	6.988	+ 11.309				800,212,772		739,161,580
III	622.325"	62.325	- 13.873	838.717	18.717	+ 0.670			239,660,941			41,757,750
K45	609.147"	49.147	- 12.722	836.346	16.346	+ 4.620			207,953,812			227,059,140
K46	609.603"	49.603	- 14.068	834.097	14.097	+ 4.664			198,316,596			231,348,392
K48	595.079"	35.079	- 24.926	831.692	11.692	+ 2.904			291,185,532			101,869,416
K49	584.677"	24.677	- 5.621	831.193	11.193	+ 4.578			62,915,853			112,971,306
K50	589.458"	29.458	+ 7.569	836.260	16.260	+ 13.942			123,071,940			410,703,436
K51	592.246"	32.246	+ 2.314	845.135	25.135	+ 12.309			58,162,390			396,916,014
K52	691.772"	31.772	- 2.151	848.569	28.569	+ 7.023			61,451,919			223,134,756
K53	690.095"	30.095	- 25.093	852.158	32.158	+ 1.504			806,940,694			45,262,880
15	566.679"	6.679	- 12.817	847.065	27.065	+ 25.170			509,282,105			168,110,430
									2397,707,452	1375,159,010	902,095,400	1924,644,842
									1022,549,442			1022,549,442
									Σ = 511.27"			

# 面積計算書

工区

3

ブロック

2

計算者

東

精算者

難波

備考

10 未指定地

11. 豊成420

点	① X	② X-(定数)	③ X <sub>n-1</sub> -X <sub>n+1</sub>	④ Y	⑤ Y-(定数)	⑥ Y <sub>n-1</sub> -Y <sub>n+1</sub>	③ +	⑤ -	② +	⑥ -
27	-152 587.534	-152.580	+6.964	851.623	-36.840	1.623	-20.224		11.302572	154.390016
K53	590.095	10.095	+3.424	852.158	2.148	+0.767			7.604792	7.742865
10	591.158	11.158	-3.232	852.390	2.390	+19.973	7.724480			222.858734
11	586.863	6.863	-8.027	872.13	22.131	+19.992	177.645537			137.285096
12	583.131	3.131	+0.771	872.382	22.382	-20.508			17.256522	64.210568
							185.270017	36.162886	218.600566	367.806695
							149.206131			149.206131
									$\frac{1}{2} = 74.6030655$	
10	-152 591.158	-152.580	+35.245	852.390	-36.840	2.390	-12.999		86.259450	145.042842
K54	622.118	42.118	+23.861	859.132	9.132	+29.424			217.898652	1241.807112
K55	615.019	35.019	-19.657	881.872	21.872	+18.942	626.547218			663.329898
K56	602.461	22.461	-11.033	878.076	28.076	-9.603	309.740442			215.692983
T	603.986	23.986	-1.695	872.271	22.271	-6.881	37.749365			165.047666
V	600.765	20.765	-17.123	871.193	21.193	-0.140	362.887739			2.907240
11	586.863	6.863	-9.608	872.13	22.131	-18.803	212.634648			129.064989
							1549.559392	302.158102	657.735720	1905.137010
							1247.401290			1247.401290

分筆後の座標なし

$\frac{1}{2} = 623.700645$

# 面積計算書

工区

3

ブロック

2

計算者



精算者



備考

水路  
泥上げ

点	①	②	③	④	⑤	⑥	③ ×	⑤	② ×	⑥
	X	X-(定数)	X <sub>n-1</sub> -X <sub>n+1</sub>	Y	Y-(定数)	Y <sub>n-1</sub> -Y <sub>n+1</sub>	+	-	+	-
18	-152 571.949"	-152.570 1.949"	+52.187" 824.059"	-36 824.059"	-36.820 4.059"	6.734" 6.734"		211.827033"		13.124566"
7	623.689"	53.689"	+51.294" 832.766"	12.746" 832.766"	10.640" 12.746"	10.640"		653.793324"		571.250760"
8	623.243"	53.243"	-52.187" 834.699"	14.699" 834.699"	6.734" 14.699"	6.734"		767.096713"		358.538362"
17	571.502"	1.502"	+51.294" 826.012"	6.012" 826.012"	10.640" 6.012"	10.640"		1308.379528"		15.981280"
								1075.476241"		865.620357"
								374.519662"		584.375526"
								209.955884"		209.855884"
								1/2 = 104.92"		
17	-152 571.502"	-152.570 1.502"	+51.965" 826.012"	-36 826.012"	-36.820 6.012"	+7.711" 6.012"		312.413580"		11.581922"
8	623.243"	53.243"	+51.518" 834.699"	14.699" 834.699"	9.664" 14.699"	9.664"		757.263082"		514.540352"
9	623.020"	53.020"	-51.965" 835.676"	15.676" 835.676"	7.711" 15.676"	7.711"		1814.603360"		408.837220"
16	571.278"	1.278"	+51.518" 826.988"	6.988" 826.988"	9.664" 6.988"	9.664"		360.007784"		12.350592"
								1174.611124"		1067.676662"
								421.187812"		526.122274"
								104.934462"		104.934462"
								1/2 = 52.46"		



# 面積計算書

工区

3

ブロック

2

計算者



精算者



備考

隅切工, VI

壁下

壁下

点	①	②	③	④	⑤	⑥	③ × ⑤		② × ⑥		
	X	X-(定数)	X <sub>n-1</sub> -X <sub>n+1</sub>	Y	Y-(定数)	Y <sub>n-1</sub> -Y <sub>n+1</sub>	+	-	+	-	
I	-152 596.040	-152.590 6.040	+12.091	-36 718.897	-36.710 2.897	-2.068			107.573627	48.720720	
1	605.898	15.898	-2.233	720.577	10.577	+9.748	23.618448			154.973702	
23	693.807	3.807	-9.858	728.665	18.665	+1.680	183.802410			6.395766	
							207.420851	107.573627	55.126480	154.973702	
							99.847222			99.847222	
									1/2 = 49.923615		
13	-152 589.261	-152.560 9.261	-1.954	-36 873.318	-36.860 13.318	+8.529	26.023372			78.987069	
VI	560.530	0.530	-6.777	873.907	13.907	-7.940	94.247739			4.208200	
14	662.684	2.684	+8.731	865.378	5.378	-0.589			46.955318	1.463076	
							120.271111	46.955318	5.671276	78.987069	
							73.315793			73.315793	
									1/2 = 36.6578965		

計年月日

計算者



檢査者



B.NO. 2

各筆面積計算書

地番	算式	隅切地	積	摘要
	豊成 399-2		<del>995.06</del>	497.25 477.82
	豊成 400-1		936.34	
	豊成 401 (A)		873.83	
	豊成 403 (A)		901.53	
	豊成 403 (B)		474.40	
	豊成 405-2		392.63	
	豊成 406 (A)		1069.91	
	豊成 409 (A)		489.74	
	豊成 409 (B)		511.27	
	保 3-2-1		74.60	
	豊成 420		623.70	
	水路		104.92	
	管理道		52.46	
	計		7450.40	
	全体		7450.66	
	差		0.06	
	換地面積		7218.42	
	保留地		74.60	
	水路		104.92	
	管理道		52.46	

豊成 409 (1)

511.27 m<sup>2</sup>

~~484.75~~  
479.44

16.

K48.

(609.603  
834.077

K45

K46

609.147  
836.306

882.522 m  
251.744 m | 8-99-21

13.454

⊖ 5.31

~~2.454~~  
3/83

(622.325  
838.717  
III

2.454  
(~~2.454~~)

0.666  
(~~0.666~~)

1.000 2.000

4.120 9 8 7

→ 102-52-11

(622.325  
835.676

C.160

# 面積計算書

工区

ブロック

計算者

精算者

備考

点	①	②	③	④	⑤	⑥	③ × ⑤		② × ⑥	
	X	X - (定数)	X <sub>n-1</sub> - X <sub>n+1</sub>	Y	Y - (定数)	Y <sub>n-1</sub> - Y <sub>n+1</sub>	+	-	+	-
k.46	<sup>-152</sup> 609603	-9.603	<sup>12.724</sup> +12.548	<sup>-36</sup> 834097	-4.097	<sup>0.021</sup> +4.750		<sup>58.227228</sup> 55.506156		7.202250
9'	<sup>871</sup> 622.695	-22.695	+12.722	<sup>836.325</sup> 837096	-6.325	+4.620		<sup>80.466650</sup> 90.275312		104.850900
Ⅲ	622.325	-22.325	<sup>12.724</sup> -12.548	838717	-8.717	<sup>0.021</sup> -4.750	117.632108		16.743750	
k.45	609147	-9.147	-12.722	836.346	-6.346	-4.620	<sup>20.7</sup> 80.733810		42.269140	
							198.831728	115.781468	59.002890	112.053150
							53.672542			
							83.050260		53.050260	
							<sup>1/3</sup> 31.83602			
							26.52530			
							<del>26.52 m<sup>2</sup></del> 26.52 m <sup>2</sup>			



ト  
3  
7  
0  
丸  
(1)

112  
(447.00)

179.04

1.928

K43-1

112  
(32.44)

K42-0

38.546

K46

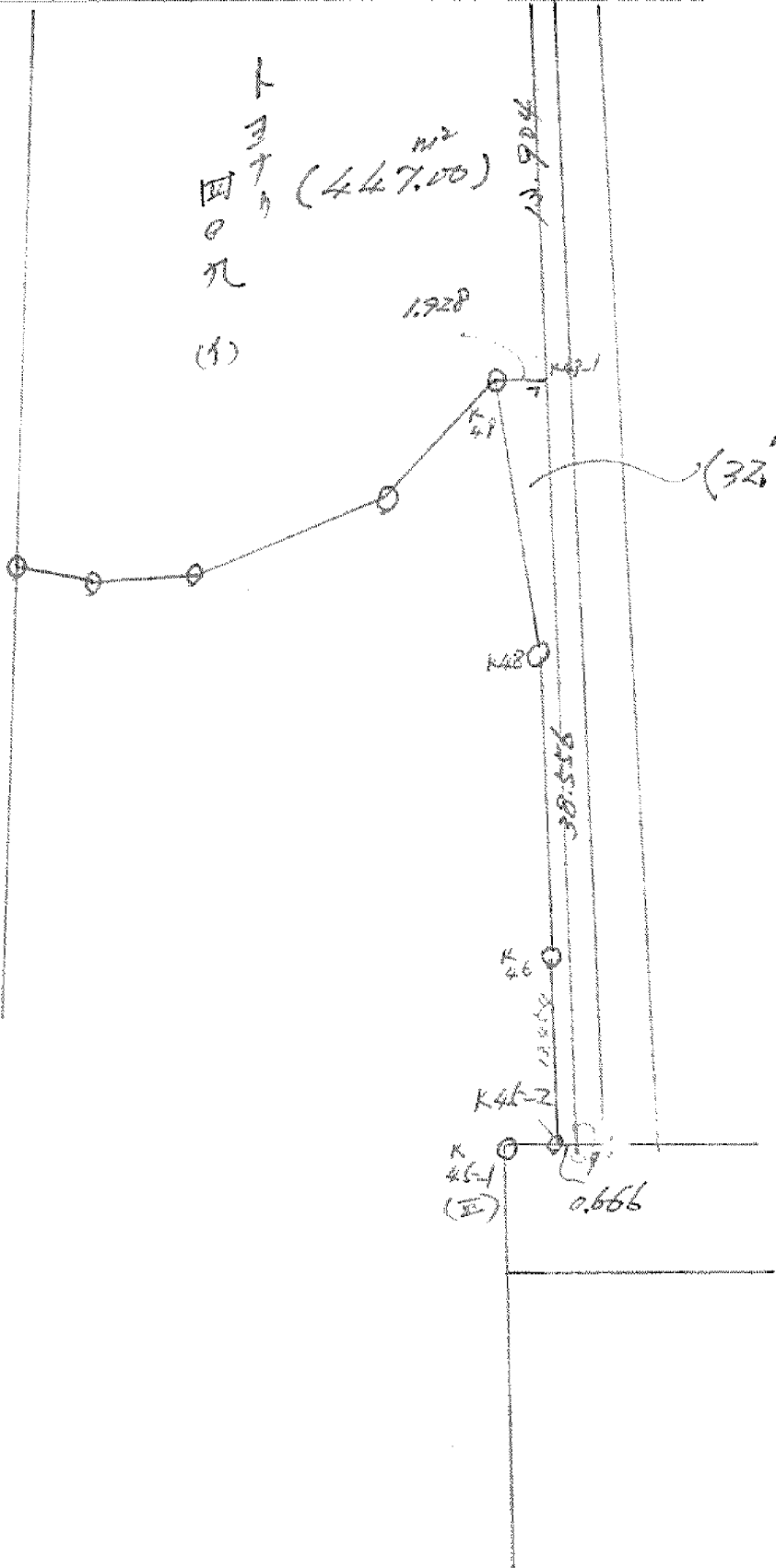
11.018

K44-2

K45-1

(E)

0.666



# 面積計算書

工 3  
K

プロ  
ック

2

計算者

(Handwritten signature)

精算者

(Handwritten signature)

備考

197 8.6.13

地番	点	①	②	③	④	⑤	⑥	③	+	⑤	-	②	+	⑥	-
		X	X-(定数)	X <sub>n-1</sub> -X <sub>n,1</sub>	Y	Y-(定数)	Y <sub>n-1</sub> -Y <sub>n,1</sub>								
K49	584.677	24.677	-	4.462	831.193	11.193	-	6.969							
K50	589.458	29.458	-	7.569	836.260	16.260	-	13.942							
K51	592.246	32.246	-	2.314	845.135	25.135	-	12.309							
K52	591.772	31.772	+	2.151	848.569	28.569	-	7.023							
K53	590.095	30.095	+	25.093	852.158	32.158	+	1.504							
15	566.679	6.679	+	18.817	847.065	27.065	+	25.170							
16	571.278	11.278	-	18.317	826.988	6.988	+	17.774							
K49	584.996	24.996	-	13.398	829.291	9.291	-	4.205							

8P4007P17  
x 1/2 = 447.003P58

8P4007P17  
✓

面積計算書

工 3  
区 K

プロック 2

計測者 (A)

積算者 (B)

備 197  
号

地番	点	①	②	③	④	⑤	⑥	⑦	⑧	⑨	⑩	⑪	⑫
		X	X-(定数)	X <sub>n-1</sub> -X <sub>n-1</sub>	Y	Y-(定数)	Y <sub>n-1</sub> -Y <sub>n-1</sub>	+	-	+	×	-	-
K49		584.677	<sup>580</sup> 4.677	-10.083	831.193	<sup>820</sup> 11.193	-2.391						
K49	4	584.996	4.996	+38.343	829.291	9.291	+4.483						
9		623.020	43.020	+37.875	835.676	15.676	+7.034						
K46	29	622.871	42.871	-13.417	836.325	16.325	-1.579						
K46		609.603	29.603	-27.792	834.097	14.097	-4.643						
K48		595.079	15.079	-24.926	831.682	11.682	-2.904						
								64 887527					64 887527
								x 1/2 = 32 443793					✓