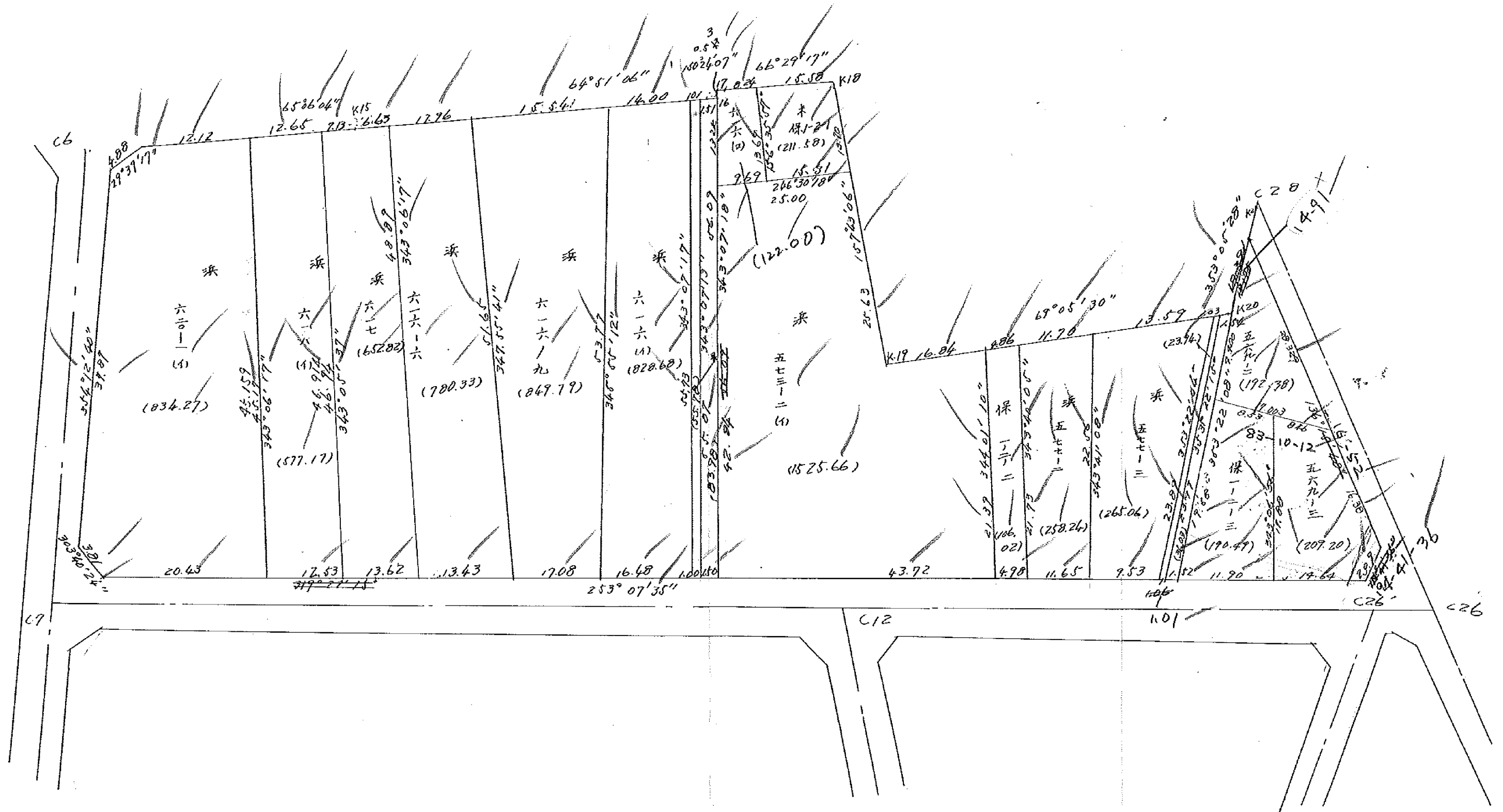
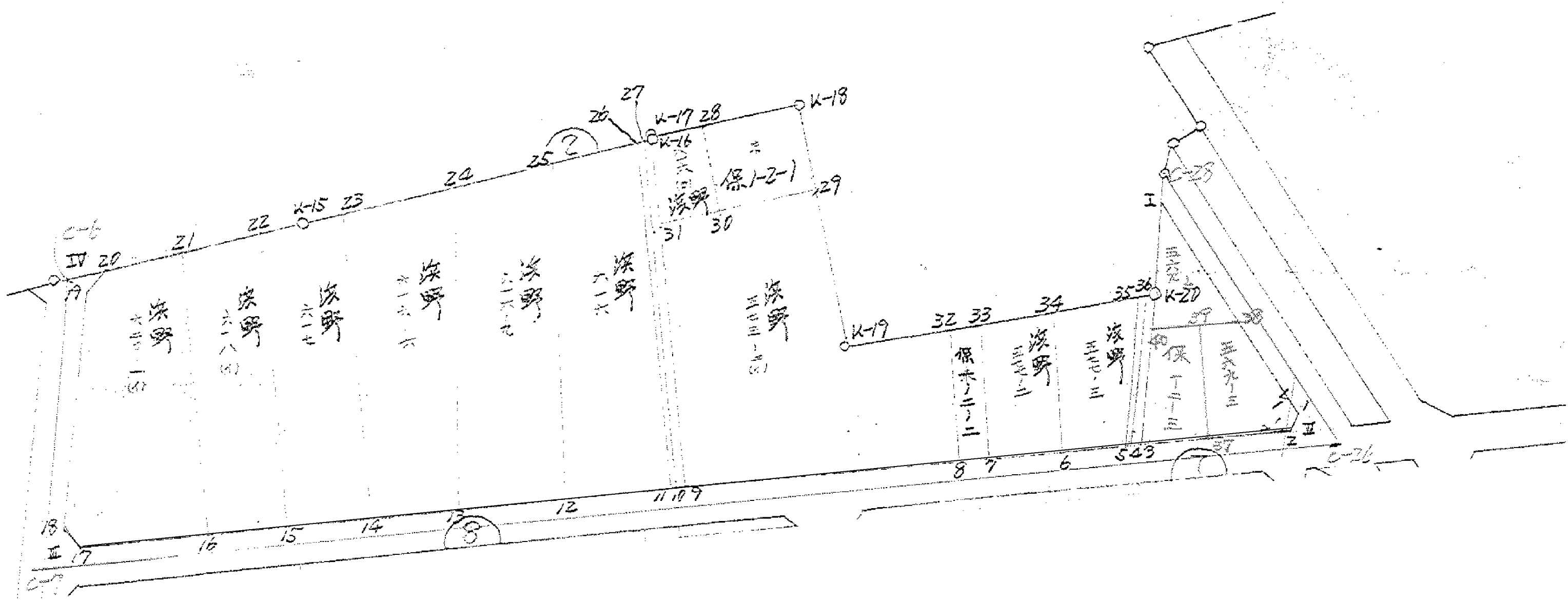


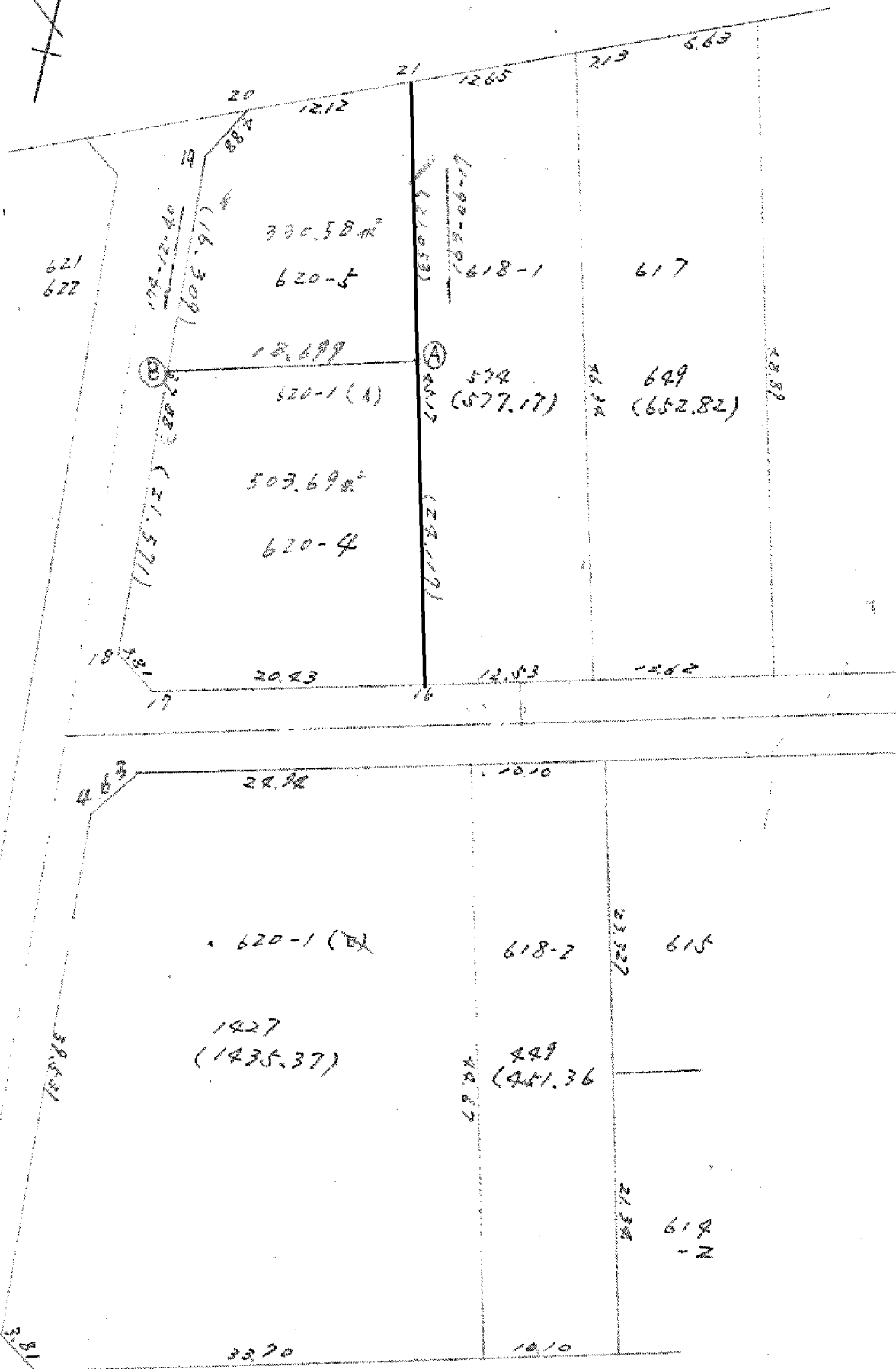
1-2





換地圖面

N=1:500



第1号公園 (6777.15)

面積計算書

工 区
 ブロック
 計算者
 精算者
 備考

点	①	②	③	④	⑤	⑥	③	⑤	②	③
	X	X-(定数)	$X_{n-1} - X_{n+1}$	Y	Y-(定数)	$Y_{n-1} - Y_{n+1}$	+	-	+	-
I	-152 428.887	(-152400.000) -28.887	+14.118	-35 616.343	(-35580.000) -36.343	-25.882			513.090474	747.653334
1	457.811	-57.811	+31.963	588.667	-8.667	-26.879			277.023321	1553.901869
2	460.850	-60.850	+9.804	589.464	-9.464	+28.101			92.785056	1405.695850
3	467.615	-67.615	-17.157	611.768	-31.768	+25.095	545.043576			1696.122275
K20	443.693	-43.693	-38.728	614.549	-34.549	+4.575	1338.413672			199.895475
							430.719172			
							1883.057248			
							1175.717249			
							1000.158387			
							792.960317			
							500.0791985			
							396.437105			
							$\frac{1}{2} =$			
K 8/2	-152 443.693	(-152400.000) -43.693	+23.370	-35 614.549	(-35610.000) -4.549	-4.227			106.310130	184.690311
3	467.615	-67.615	+24.364	611.768	-1.768	-1.3293			43.075552	89.454645
4	468.057	-68.057	-23.370	613.226	-3.226	+4.227	75.391620			287.676939
36	444.245	-44.245	-24.364	615.995	-5.995	+1.323	146.062180			58.536135
							221.453800			
							72.068118			
							149.385682			
							274.144956			
							346.213074			
							72.068118			
							$\frac{1}{2} =$			
							36.034059			

面積計算書

工
区

1

ノ
ロ
ック

2

計
算
者



精
算
者



備
考

点	①	②	③	④	⑤	⑥	③ × ⑤	② × ④
	X	X-(定数)	$X_{n-1} - X_{n+1}$	Y	Y-(定数)	$Y_{n-1} - Y_{n+1}$	+	-
小堤								
36	-152 444.245	(-152440.000) -4.245	+23.443	-35 615.995	(-35610.000) -5.995	-3.733		140.540785
4	468.057	-28.057	+24.107	613.226	-3.226	-1.796		77.769182
5	468.352	-28.352	-23.443	614.199	-4.199	+3.733	98.437157	105.838016
35	444.614	-4.614	-24.107	616.959	-6.959	+1.796	167.760613	8.286744
							266.197770	218.309967
							47.887803	114.124760
							$\frac{1}{2} = 23.9439015$	47.887803
沃野 577-3								
35	-152 444.614	(-152440.000) -4.614	+18.885	-35 616.959	(-35610.000) -6.959	-15.464		131.420715
5	468.352	-28.352	+26.507	614.199 613.226	-4.199	+6.366		71.350896
6	471.121	-31.121	-18.885	623.325	-13.325	+15.464	251.642625	180.488832
34	449.467	-9.467	-26.507	629.663	-19.663	-6.366	521.207141	481.255144
							772.849766	60.266922
							242.723608	131.617818
							530.126158	661.743776
							$\frac{1}{2} = 265.063079$	530.126158

面積計算書

工
区

ブ
ロック

計
算
者



精
算
者



備
考

点	①	②	③	④	⑤	⑥	③ × ⑤		② × ④		
	X	X-(定数)	$X_{n-1} - X_{n+1}$	Y	Y-(定数)	$Y_{n-1} - Y_{n+1}$	+	-	+	-	
	沃野577-Z (-152 (-152440.000)										
34	449.467	-9.467	+19.479	629.663	-9.663	-17.267			168.899577	163.466689	
6	471.121	-31.121	+25.039	623.325	-3.325	+4.816			83.248025	149.878736	
7	474.504	-34.504	-17.479	634.479	-14.479	+17.267	253.078041			575.780568	
33	453.642	-13.642	-25.039	640.592	-20.592	-4.816	515.561904			65.699872	
							768.640345	252.147602	229.166561	745.659304	
							516.492743			516.492743	
							$\frac{1}{2} = 258.2463715$				
	沃野保1-2-Z (-152 (-152450.000)										
33	453.642	-3.642	+19.125	640.592	-10.592	-10.659			202.572000	38.820078	
7	474.504	-24.504	+22.308	634.479	-4.479	-1.345			99.917532	32.957880	
8	475.950	-25.950	-19.125	639.249	-9.249	+10.659	176.848875			276.601050	
32	455.379	-5.379	-22.308	645.138	-15.138	+1.345	337.698504			7.234755	
							514.547379	302.489532	71.777958	283.835805	
							212.057847			212.057847	
							$\frac{1}{2} = 106.0289235$				

面積計算書

工
区

1

ブロック

28

計算者



精算者



備考

点	①	②	③	④	⑤	⑥	③ × ⑤		② × ④		
	X	X-(定数)	X _{n-1} -X _{n+1}	Y	Y-(定数)	Y _{n-1} -Y _{n+1}	+	-	+	-	
	淡野573-2(1) -152 (-152400.000)										
29	437.672	-37.672	+13.748	670.591	-70.591	-32.653			970.485068	1230.103816	
K-19	461.390	-61.390	+17.707	660.873	-60.873	-25.453			1077.878211	1562.559670	
32	455.379	-55.379	+14.560	645.138	-45.138	-21.626			657.209280	1197.626254	
8	475.950	-75.950	+33.262	639.247	-39.247	+35.949			1305.433714	2730.326550	
9	488.641	-88.641	-28.308	681.087	-81.087	+54.279	2295.410796			4811.344839	
31	447.642	-47.642	-50.969	693.526	-93.526	-10.496	4766.926694		500.050432		
							7062.337490	4011.006273	4490.340172	7541.671389	
							3051.331217			3051.331217	
	淡野616(0) -152 (-152430.000)										
28	431.212	-1.212	+9.277	690.076	-10.076	-12.998			93.475052	15.753576	
30	443.778	-13.778	+16.430	684.638	-4.638	+8.450			76.202340	47.534100	
31	447.642	-17.642	-8.814	693.526	-13.526	+12.735	119.218164			224.670870	
K-16	434.964	-4.964	-13.141	697.373	-17.373	+4.110	228.298593			20.402040	
K-17	434.501	-4.501	-3.752	697.636	-17.636	-7.297	66.170272		32.843777		
							413.687029	169.677372	48.597373	292.607010	
							244.009637			244.009637	
							$\frac{1}{2} = 122.0048185$				

面積計算書				工 区		ブ ロ ック		計 算 者		精 算 者		備 考
				/		Z						
点	① X	② X-(定数)	③ $X_{n-1}-X_{n+1}$	④ Y	⑤ Y-(定数)	⑥ $Y_{n-1}-Y_{n+1}$	⑦ +	⑧ ×	⑨ -	⑩ +	⑪ ×	⑫ -
K-18	1区1-2-1号 -152 424.995'	(-152420.000) -4.995'	+6.460'	-35 675.786'	(-35670.000) -5.786'	-19.485'						
Z9	437.672'	-17.672'	+18.783'	670.591'	-0.591'	+8.852'			37.377560			97.327525'
30	443.778'	-23.778'	-6.460'	684.638'	-14.638'	+19.485'	94.561480'					156.432544'
Z8	431.212'	-11.212'	-18.783'	690.076'	-20.076'	-8.852'	377.087508					463.314330
							423.648988					99.248624'
							471					196.576199'
							471 423.170675	48.478313				619.746874'
							$\sum = 211.5853375$					423.170675'
									分筆後の座標なし			
	K区 -152 434.964'	(-152430.000) -4.964'	+53.033'	-35 697.373'	(-35680.000) -17.373'	-17.659'						
K-16	434.964'	-4.964'	+53.033'	697.373'	-17.373'	-17.659'			921.342309			87.659276'
9	488.641'	-58.641'	+54.112'	681.087'	-1.087'	-14.851'			58.819744			870.877491'
10	489.076'	-59.076'	-53.033'	682.522'	-2.522'	+17.659'	133.749226'					1043.223084
Z7	435.608'	-5.608'	-54.112'	698.746'	-18.746'	+14.851'	1014.383552					83.284408
							1148.132778					958.536767
							167.970725'	980.162053				1126.507492
												167.970725'
							$\sum = 83.9853625$					

面積計算書

工
区

/

ブ
ロ
ック

Z

計
算
者



概
算
者



備
考

点	①	②	③	④	⑤	⑥	③ × ⑤	② × ④
	X	X-(定数)	$X_{n-1}-X_{n+1}$	Y	Y-(定数)	$Y_{n-1}-Y_{n+1}$	+ -	+ -
	小堤							
27	-15Z 435.608	(-15Z430.000) -5.608	+53.039	-35 698.746	(-35680.000) -18.746	-17.138	994.269094	96.109904
10	489.076	-59.076	+53.759	682.522	-2.522	-15.267	135.580198	90.132920
11	489.367	-59.367	-53.039	683.479	-3.479	+17.138	184.522681	1017.431646 908.982382
26	436.037	-6.037	-53.759	699.660	-19.660	+15.267	1056.901940	92.166879
							1241.424621	998.023196
							111.575329	1109.598525
							$X\frac{1}{2} = 55.7876645$	
	浜野 616(A)							
26	-15Z 436.037	(-15Z430.000) -6.037	+47.380	-35 699.660	(-35680.000) -19.660	-28.854	931.490800	174.191598
11	489.367	-59.367	+58.113	683.479	-3.479	-0.410	202.175127	24.340470
12	494.150	-64.150	-47.380	699.250	-19.250	+28.854	912.065006	1850.984100
25	441.987	-11.987	-58.113	712.333	-32.333	+0.410	1878.967629	4.914670
							2791.032629	198.532068
							1133.665927	1855.898770
							1657.366702	1657.366702
							$X\frac{1}{2} = 828.683351$	

面積計算書

工区 1

ブロック 2

計算者

精算者

備考

点	①	②	③	④	⑤	⑥	③ × ⑤		② × ④	
	X	X-(定数)	$X_{n-1}-X_{n+1}$	Y	Y-(定数)	$Y_{n-1}-Y_{n+1}$	+	-	+	-
	改野 616-9 -152	(-152440.000)								
25	441.987	-1.987	+45.559	712.333	-22.333	-27.151			1017.469147	53.949037
12	494.150	-54.150	+57.121	699.250	-9.250	+3.264			528.369250	176.745600
13	499.108	-59.108	-45.559	715.597	-25.597	+27.151	1166.173723			1604.84308
24	448.591	-8.591	-57.121	726.401	-36.401	-3.264	2079.261521			28.041024 F
							3245.435244	1545.838397	81.990061	1781.586908
							1699.596847			1699.596847
							$\times 1/2 = 849.7984235$			
	改野 616-6 -152	(-152400.000)								
24	448.591	-48.591	+42.883	726.401	-16.401	-27.064			703.324080	1315.066824
13	499.108	-99.108	+54.416	715.597	-5.597	+2.051			304.566352	203.270508
14	503.007	-103.007	-42.883	728.452	-18.452	+27.064	791.277116			2787.781448
23	456.225	-56.225	-54.416	742.661	-32.661	-2.051	1777.280976			115.317475
							2568.558092	1007.890435	1430.384297	2991.051956
							1560.667657			1560.667657
							$\times 1/2 = 780.3338285$			

面積計算書

工 区
 ブロック
 計算者
 精算者
 備考

点	①	②	③	④	⑤	⑥	③ × ⑤	② × ⑥
	X	X-(定数)	$X_{n-1}-X_{n+1}$	Y	Y-(定数)	$Y_{n-1}-Y_{n+1}$	+ -	+ -
	沃野617	(-152450.000)						
23	-152 456.225	-6.225	+43.962	-35 742.661	(-35720.000) -22.661	-20.216	996.222882	125.844600
14	503.007	-53.007	+50.736	728.452	-8.452	-1.174	428.820672	62.230218
15	506.961	-56.961	-40.959	741.487	-21.487	+26.686	880.086033	1520.061246
22	462.048	-12.048	-47.916	755.138	-35.138	+7.181	1683.672408	86.516688
K-15	459.045	-9.045	-5.823	748.668	-28.668	-12.477	166.933764	112.854465
							2730.692205	1425.043554
							1305.648651	300.929283
								1606.577934
								1305.648651
							$X\frac{1}{2} = 652.8243255$	
	沃野618(1)	(-152460.000)						
22	-152 462.048	-2.048	+39.587	-35 755.138	(-35740.000) -15.138	-25.125	599.268006	51.456000
15	506.961	-46.961	+48.552	741.487	-1.487	-1.655	72.196824	77.720455
16	510.600	-50.600	-39.587	753.483	-13.483	+25.125	533.751521	1271.325000
21	467.374	-7.374	-48.552	766.612	-26.612	+1.655	1292.065824	12.203970
							1825.817345	671.464830
							1154.352515	129.176455
								1283.528970
								1154.352515
							$X\frac{1}{2} = 577.1762575$	

分筆後の座標なし

面積計算書											工 区	ブ ロ ック	Z	計 算 者	精 算 者	備 考
点	①	②	③	④	⑤	⑥	③ ×	⑤	② ×	④						
	X	X-(定数)	$X_{n-1}-X_{n+1}$	Y	Y-(定数)	$Y_{n-1}-Y_{n+1}$	+	-	+	-						
	角切 -152	(-152450.000)		-35	(-35580.000)											
II	459.979	-9.979	+3.039	586.593	-6.593	+0.797		20.036127		7.953263						
Z	460.850	-10.850	-2.168	589.464	-9.464	+2.074	20.517952			22.502900						
I	457.811	-7.811	-0.871	588.667	-8.667	-2.871	7.548957		22.425381							
							28.066909	20.036127	22.425381	30.456163						
							8.030782			8.030782						
	角切 -152	(-152570.000)		-35	(-35770.000)		$\frac{1}{2} = 4.015391$									
III	517.402	-7.402	-2.114	775.908	-5.908	+3.173	12.489512			23.486546						
18	514.417	-4.417	-0.871	776.210	-6.210	-2.871	5.408910		12.681207							
17	516.531	-6.531	+2.985	773.037	-3.037	-0.302		9.065445	1.972362							
							17.898422	9.065445	14.653567	23.486546						
							8.832977			8.832977						
	角切 -152	(-152470.000)		-35	(-35770.000)		$\frac{1}{2} = 4.4164885$									
IV	473.743	-3.743	-4.247	780.334	-10.334	-2.418	43.888498		9.050574							
20	472.480	-2.480	+2.984	777.613	-7.613	-0.303		22.717192	0.751440							
19	476.727	-6.727	+1.263	780.031	-10.031	+2.721		12.669153		18.304167						
							43.888498	35.386345	9.802014	18.304167						
							8.502153			8.502153						

$\frac{1}{2} = 4.2510765$

面積計算書

工
区

ブ
ロ
ック

計
算
者



精
算
者

備
考

点	①	②	③	④	⑤	⑥	③ × ⑤		② × ⑥		
	X	X-(定数)	$X_{n-1}-X_{n+1}$	Y	Y-(定数)	$Y_{n-1}-Y_{n+1}$	+	-	+	-	
I	-152,425.573	-0.573	+15,635	-35,616.744	-36.744	30.102		574,492,440	17,248,446		
II	-459,377	-34,328	+91,829	-594,447	-4,447	159,164		408,363,563	5,463,781,712		
III	-517,402	-92,402	+14,415	-775,908	-195,908	195,887		2824,013,820	18,100,350,574		
IV	-473,743	-48,743	-58,357	-780,334	-200,334	27,240	11680,891,238		1,327,759,320		
K15	-459,045	-34,045	-38,779	-749,668	-168,668	82,961	6540,776,372		2824,407,245		
K16	-434,964	-9,964	-24,544	-697,373	-117,873	51,032	2880,802,912		508,492,240		
K17	-434,501	-9,501	-9,969	-697,636	-117,636	21,587	1172,713,284		205,098,087		
K18	-424,985	0,005	+26,889	-675,786	-95,786	36,763		2575,589,754	1,183,815		
K19	-461,390	-36,390	+18,698	-660,873	-80,873	61,237		1,512,163,354	2,228,414,430		
K20	-443,693	-18,693	-35,817	-614,549	-34,549	44,129	1237,441,533		824,903,397		
								23572,625,389	7894,622,981	7936,313,778	23564,316,181
								15628,002,408			15628,002,408
								$\frac{1}{2}$ 7814,001,204			

面積計算書

Ⅰ
区

ブ
ロ
ック

2

計
算
者



精
算
者

備
考

点	①	②	③	④	⑤	⑥	③ × ⑤		② × ⑥	
	X	X-(定数)	$X_{n-1} - X_{n+1}$	Y	Y-(定数)	$Y_{n-1} - Y_{n+1}$	+	-	+	-
	569-2									
I	-152 425 573	(-152 425) - 0.573	+ 2.349	-35 616 744	(-35 597) - 19.744	- 17.390			46.378656	9.964470
38	446 042	- 21.042	+ 22.491	597 159	- 0.159	- 2.703			3.570069	56.876526
40	448 064	- 23.064	- 2.349	614 041	- 17.041	+ 17.390	40.029309			401.082960
K 20	443 693	- 18.693	- 22.491	614 549	- 17.549	+ 2.703	394.694559			50.527179
							434.723868	49.954725	66.840996	451.610139
							384.769143			384.769143
							$\frac{1}{2}$ 192.3845715			
	569-3									
38	-152 446 042	(-152 445) - 1.042	+ 10.834	-35 597.159	(-35 585) - 12.159	- 19.734			131.730606	20.562828
1	457 883	- 12.883	+ 12.866	-585 830	- 0.230	- 10.798			11.508780	139.110834
2	459 908	- 14.908	+ 6.275	386 361	- 1.361	+ 14.541			8.540275	216.777228
37	444 158	- 19.158	- 12.859	600 371	- 15.371	+ 19.203	197.655689			367.891074
39	447 049	- 2.049	- 18.116	405 564	- 20.564	- 2.212	372.537424			6.581388
							570.175113	151.777661	166.254850	584.668202
							418.413452			418.413452
							$\frac{1}{2}$ 209.206726			

面積計算書

工
区

ブ
ロ
ック

計
算
者



精
算
者

備
考

点	①	②	③	④	⑤	⑥	③ × ⑤		② × ⑥	
	X	X-(定数)	$X_{n-1}-X_{n+1}$	Y	Y-(定数)	$Y_{n-1}-Y_{n+1}$	+	-	+	-
保 1-2-3										
		(-152447)			(-35600)					
37	152 464 158	- 17.158	+ 20.566	-35 600 371	- 0.371	+ 6 204		7. 629 986		16. 448 232
3	467 615	- 20.615	- 16.094	611 768	- 11.768	+ 13.676	188. 394 192			281. 807 050
40	448 064	- 1.064	- 20.566	614 041	- 14.041	- 6.204	288. 767 206		6.601 056	
39	447 049	- 0.049	+ 16.094	605 564	- 5.564	- 13.676		89.547 016	0.669 830	
							478. 161 398	97. 177 002	7. 270 886	388. 255 282
							380. 984 316			380. 984 316
							$\frac{1}{2}$ 170. 492 198			
角切 II										
		(152457)			(-25584)					
II	152 459 328	- 2.328	+ 2.025	-35 584 447	- 0.447	+ 0.531		0. 905 175		1. 236 168
7	459 908	- 2.908	- 1.445	586 361	- 2.361	+ 1.383	3. 411 645			4. 021 764
1	457 883	- 0.883	- 0.580	585 830	- 1.830	- 1.914	1. 061 400		1. 690 062	
							4 473 045	0. 905 175	1. 690 062	5. 257 932
							3. 567 870			3. 567 870
							$\frac{1}{2}$ 1. 783 935			

面積計算書

工
区

/

ブ
ロ
ック

Z

計
算
者



精
算
者



備
考

点	①	②	③	④	⑤	⑥	③ × ⑤		② × ④		
	X	X-(定数)	X _{n-1} -X _{n+1}	Y	Y-(定数)	Y _{n-1} -Y _{n+1}	+	-	+	-	
	浪野620-1(1)										
21	469.374 ⁻¹⁵²	-7.374 ^(-152460.000)	+38.120'	766.612 ⁻³⁵	-16.612 ^(-35789.000)	-24.130'			633,249,440	177,934,620	
16	510.600	-50.600'	+39.158 ⁸ +49.157'	753.483'	-3.483'	+6.425'			171,213,831	325,105,000	
17	516.531	-56.531'	+3.817'	773.037'	-23.037'	+22.727'			87,932,229	1284,780,037	
18	514.417	-54.417'	-39.804'	776.210'	-26.210'	+6.994'	1043,262,840			380,592,498	
19	476.727	-16.727'	-41.709'	780.031'	-30.031'	+1.403'	1259,410,047		167,469,120	23,467,981	
20	472.480	-12.480'	-9.353'	777.610'	-27.610'	-13.418 ⁹	258,264,387		767,456,640		
							2560,937,276	892,395,500	345,391,264	2013,945,516	
							1668,541,776		345,403,740	1668,541,776	
							<u>1/2 = 934,270,888</u>				

620-4

NO.	NAME	CODE	X	Y	D X	D Y	X * DY	Y * DX
1	B		-152492.953	-35778.386	-26.899	-15.716	2396579.249348	962402.805014
2	A		-152487.518	-35760.494	17.647	-24.903	3797396.660754	-631065.437618
3	16		-152510.600	-35753.483	29.013	12.543	-1912940.455800	-1037315.802279
4	17		-152516.531	-35773.037	3.817	22.727	-3466243.200037	-136545.682229
5	18		-152514.417	-35776.210	-23.578	5.349	-815799.616533	843531.479380

ゴウケイ -1007.362268 1007.362268

ハイメソキ 1007.362268

メソキ 503.681134

ツボスウ 152.363543

NO.	NAME	CODE	X	Y	D X	D Y	X * DY	Y * DX
1	A		-152487.518	-35760.494	25.579	11.774	-1795388.036932	-914717.676026
2	B		-152492.953	-35778.386	-10.791	19.537	-2979254.822761	386084.563326
3	19		-152476.727	-35780.031	-20.473	-0.773	117864.509971	732524.574663
4	20		-152472.480	-35777.613	-9.353	-13.419	2046028.209120	334628.014389
5	21		-152467.374	-35766.612	15.038	-17.119	2610088.975506	-537858.311256

コウケイ -661.165096 661.165096

ハイ メッセキ 661.165096

メッセキ 330.582548

ツボ"スウ 100.001220

面積計算書

工区

ブロック

計算者

積算者

備考

197

浜野620-5

地番	点	①	②	③	④	⑤	⑥	③	×	⑤	②	×	⑥
		X	X-(定数)	X _{n-1} -X _{n,1}	Y	Y-(定数)	Y _{n-1} -Y _{n,1}	+	-	+	-		
102	-471.396	-470.000 1.396	-6.790	-775.277	-760.000 15.277	+4.727				103730830	6598892		
101	-479.270	9.270	-5.125	-772.886	12.886	+11.443				66040750	106076610		
100	-476.521	6.521	-8.248	-763.834	3.834	+12.392				51622832	80808232		
Ⓐ	-487.518	17.518	-16.432	-760.494	0.494	-14.552				8117408			254 P2/P36
Ⓑ	-492.953	22.953	+10.791	-778.386	18.386	-19.537	198403326						448432761
19	-476.727	6.727	+20.493	-780.031	20.031	+0.773	410094663						+199971
20	-472.480	2.480	+5.331	-777.613	17.613	+4.754	93894903						11789920
							702392892			209571820			210473625703354697
							492881072			x 1/2			246440536
													(246 ^m 44)

面積計算書

工区

ブロック

計算者

積算者

備考

197

浜野620-6

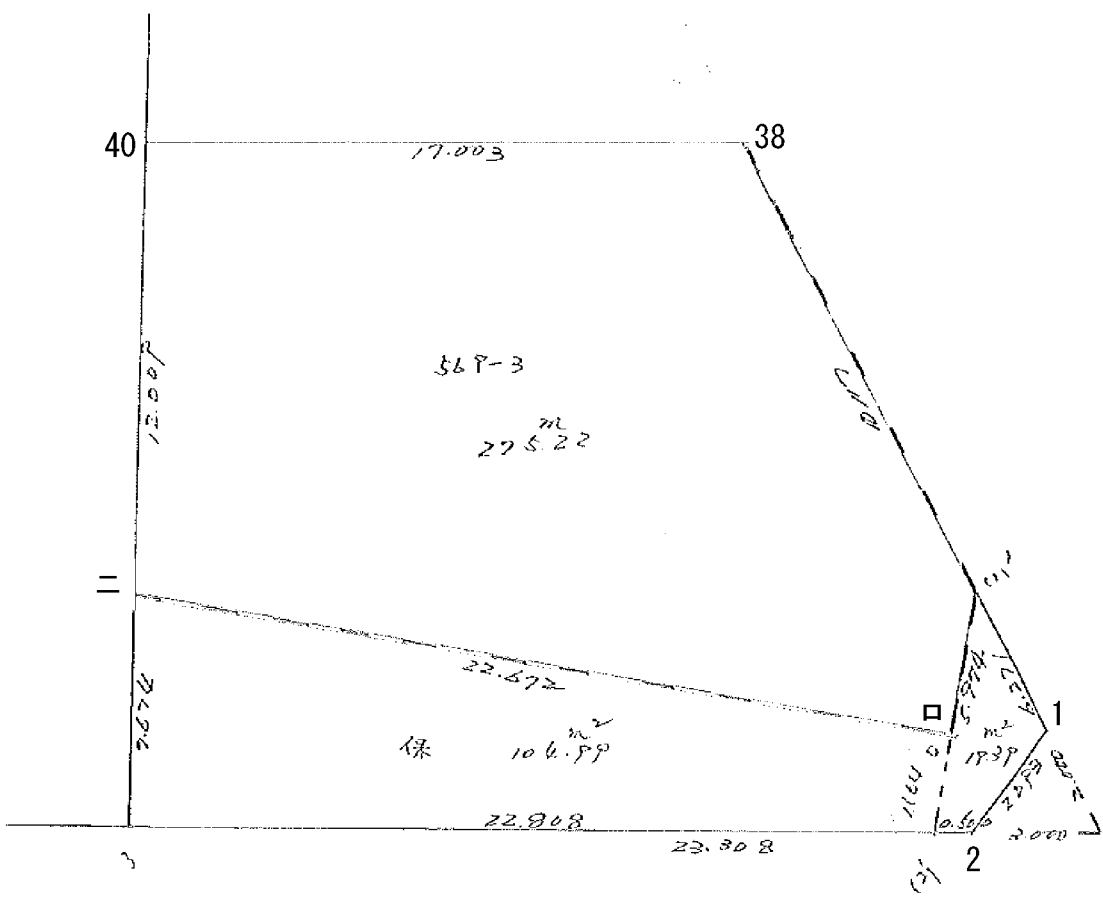
地番

点	① X	② X-(定数)	③ X _{n-1} -X _{n,1}	④ Y	⑤ Y-(定数)	⑥ Y _{n-1} -Y _{n,1}	⑦ +	×	⑧ -	⑨ +	×	⑩ -
102	-471.386	-460.000 11.386	+ 11.896	-775.277	-760.000 15.277	+ 6.274	181735192			71498504		
21	-467.374	7.374	- 5.125	-766.612	6.612	+ 11.443			33886500	84380682		
100	-476.521	16.521	- 11.896	-763.834	3.834	- 6.274			45609264			103652754
101	-479.270	19.270	+ 5.125	-772.886	12.886	- 11.443	66040750					220506610
							247775942		7949714	155879186	324	159364
							168280178	× 1/2		84140189		
										(84.14)		

計年 月 算日	計 算 者		檢 查 者
---------------	-------------	---	-------------

B. No. 2 各筆面積計算書

地 番	算 式	隅 切	地 積	摘 要
56P-2			182.38	0
56P-3			209.20	275.22
保1-2-3			190.48	104.99
577-3			265.06	
577-2			258.24	
保1-2-2			106.02	
573-2(1)			1525.66	
616(2)			122.88	
保1-2-1			211.58	
616(1)			828.68	
616-9			849.79	
616-6			780.33	
617			652.82	
618(1)			577.17	
620-1(1)			834.27	
水路4号			36.23	
小堤			23.94	
水路5号			83.98	
小堤			55.78	
角切 I		1.78		
II		4.91		
IV		4.25		
		10.44	7803.42	計 7813.86
				余 7814.00
				差 -0.14



面積計算書

工区

ブロック

2.

計算者

精算者

備考

569-3

点	①	②	③	④	⑤	⑥	+	-	+	-
	X	X-(定数)	X _{n-1} -X _{n+1}	Y	Y-(定数)	Y _{n-1} -Y _{n+1}				
二	152,449.992	¹¹²⁴⁴⁰ 19.992	+11.267	35,612.654	³⁴⁴⁸⁰ 32.654	-24.049		367.912618	480.787608	
40	152,448.044	8.064	+13.940	35,614.041	34.041	+14.494		274.871940		124.941680
38	152,446.042	6.042	-5.296	35,597.159	17.159	+23.868	90.874064			144.210446
41'	152,443.360	13.360	-13.289	35,590.173	10.173	+7.167	135.188997			94.741120
口	152,449.331	19.331	-6.632	35,589.792	9.992	-22.481	66.266944		434.580211	
							292.833004	842.784568	915.367819	364.913246
								550.454563	550.454563	
							1/2	275.2272815	m ²	

面積計算書										工区	ブロック	2	計算者	箱算者	備考	保		
点	①	②	③	④	⑤	⑥	③	×	⑤	②	×	⑥						
	X	X-(定数)	X _{n-1} -X _{n+1}	Y	Y-(定数)	Y _{n-1} -Y _{n+1}	+		-	+		-						
(1)'	152,453.360	152,450.00 3.360	-3.112	34,590.173	34,590. 10.173	-4.112	31,658.376			13,816.320								
(2)'	152,460.995	10.995	-6.548	34,589.942	9.942	+3.812	65,100.216 55,158.216						41,912.940					
(2)Z	152,459.908	9.908	+3.112	34,586.361	6.361	+4.112			19,794.432				40,701.696					
1	152,457.883	7.883	+6.548	34,585.830	5.830	-3.812			38,174.840	30,029.996								
							96,748.492		47,970.272	43,866.316			82,654.636					
							38,788.320						38,788.32					
													1/2 19,394.160 m ²					

面積計算書

工
区

ブ
ロ
ック

Z

計
算
者

精
算
者

備
考

保

点	①	②	③	④	⑤	⑥	+	-	⑤	+	-	⑥
	X	X-(定数)	X _{n-1} -X _{n+1}	Y	Y-(定数)	Y _{n-1} -Y _{n+1}						
二	12,419.992	^{12,410} 9.992	- 8.284	31,612.614	^{31,600} 32.614	- 21.776	270,404,736			217,585,792		
三	12,467.114	17.615	- 1.003	31,411.768	31.768	+ 22.712	31,863,304					400,071,880
(2)'	12,460.994	10.994	+ 8.284	31,489.942	9.942	+ 21.776		82,359,428				239,427,120
口	12,419.881	9.331	+ 1.003	31,489.992	9.992	- 22.712		10,021,976		211,925,672		
							302,369,040	92,381,504		429,419,664	639,490,000	
							209,987,486				209,987,486	
										1/2 1,04,993,768 [㎡]		
										106.99		
										18.39		
										<u>124.38</u>		