

画地略図

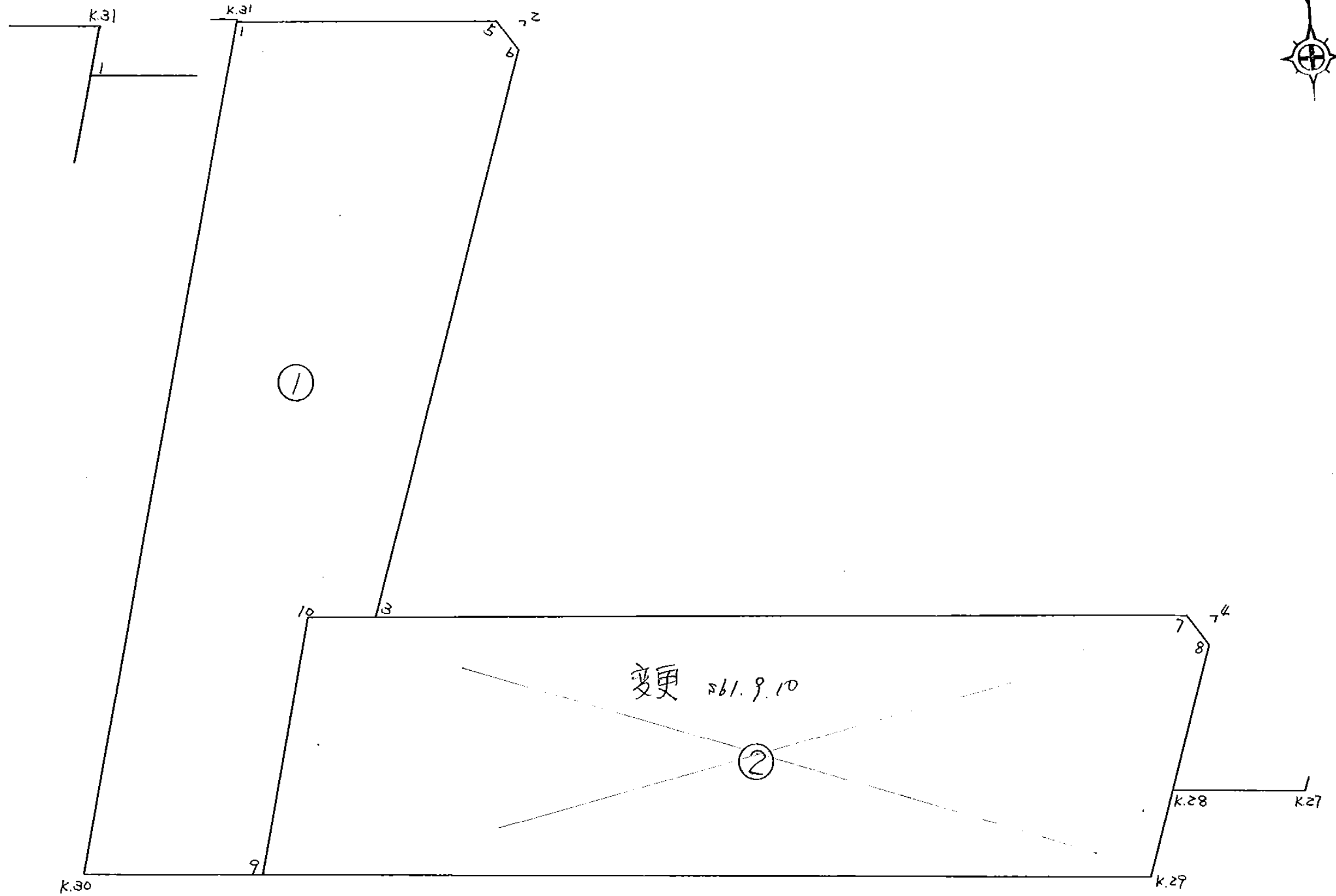
工区

ブロック

19

記入者

点検者





ショウキ ヒョウ

19-2 BLOCK

2227.771088

2-1 LOT

2179.501124

2-2 LOT

48.254079

ゴウキ

2227.755203

0.000000

19-2 BLOCK

| 7/NO.                             | X           | Y          | (X-X <sub>0</sub> )(Y <sub>N-1</sub> -Y <sub>0</sub> ) | (X <sub>N-1</sub> -X <sub>0</sub> )(Y-Y <sub>0</sub> ) |
|-----------------------------------|-------------|------------|--|--|
| X <sub>0</sub> , Y <sub>0</sub> = | -153700.000 | -31900.000 |  |  |
| 3                                 | -153800.921 | -32070.210 |  |  |
| 7                                 | -153763.288 | -32000.238 | 10772.250480   | 10116.119198   |
| 8                                 | -153764.769 | -31996.891 | 6492.315022  | 6132.037608  |
| k.28                              | -153779.028 | -31993.422 | 7657.101948  | 6050.849518  |
| k.29                              | -153787.410 | -31991.337 | 8166.017020  | 7218.180436  |
| 9                                 | -153828.438 | -32068.495 | 11731.141606   | 14728.147950   |
| 10                                | -153804.179 | -32076.268 | 17553.640605   | 22639.509384   |
| 3                                 | -153800.921 | -32070.210 | 17789.142828   | 17732.307590   |
|                                   |             |            | 80161.609509   | 84617.151684   |
|                                   |             |            | 平均値=   | 4455.542175  |
|                                   |             |            | 标准値=   | 2227.771088  |

2-1 LOT

| 7/NO.                             | X           | Y          | (X-X <sub>0</sub> )(Y <sub>N-1</sub> -Y <sub>0</sub> ) | (X <sub>N-1</sub> -X <sub>0</sub> )(Y-Y <sub>0</sub> ) |
|-----------------------------------|-------------|------------|--|--|
| X <sub>0</sub> , Y <sub>0</sub> = | -153700.000 | -31900.000 |  |  |
| 11                                | -153798.642 | -32065.972 |  |  |
| 7                                 | -153763.288 | -32000.238 | 10504.035936   | 9887.676796  |
| 8                                 | -153764.769 | -31996.891 | 6492.315022  | 6132.037608  |
| k.28                              | -153779.028 | -31993.422 | 7657.101948  | 6050.849518  |
| k.29                              | -153787.410 | -31991.337 | 8166.017020  | 7218.180436  |
| 9                                 | -153828.438 | -32068.495 | 11731.141606   | 14728.147950   |
| 13                                | -153808.054 | -32075.026 | 18206.558730   | 22479.989388   |
| 12                                | -153802.165 | -32064.077 | 17881.531290   | 17729.176158   |
| 11                                | -153798.642 | -32065.972 | 16184.883434   | 16956.529380   |
|                                   |             |            | 96823.584986   | 101182.587234  |
|                                   |             |            | 平均値=   | 4359.002248  |
|                                   |             |            | 标准値=   | 2179.501124  |
|                                   |             |            |  | 2179.52  |

2-2 LOT

| 7/NO.                             | X           | Y          | (X-X <sub>0</sub> )(Y <sub>N-1</sub> -Y <sub>0</sub> ) | (X <sub>N-1</sub> -X <sub>0</sub> )(Y-Y <sub>0</sub> ) |
|-----------------------------------|-------------|------------|--|--|
| X <sub>0</sub> , Y <sub>0</sub> = | -153700.000 | -32000.000 |  |  |
| 3                                 | -153800.921 | -32070.210 |  |  |
| 11                                | -153798.642 | -32065.972 | 6925.654820  | 6657.960212  |
| 12                                | -153802.165 | -32064.077 | 6740.029380  | 6320.683434  |
| 13                                | -153808.054 | -32075.026 | 6923.776158  | 7665.031290  |
| 10                                | -153804.179 | -32076.268 | 7816.133654  | 8241.062472  |
| 3                                 | -153800.921 | -32070.210 | 7697.042828  | 7314.407590  |
|                                   |             |            | 36102.636840   | 36199.144998   |
|                                   |             |            | 平均値=   | 96.508158  |
|                                   |             |            | 标准値=   | 48.254079  |

\*\*\*\*\* カクヒツ メンセキ シユウケイ ヒヨウ \*\*\*\*\*

カクヒツ . カクヒツ                      カクヒツ メンセキ                      入ミキリ メンセキ

19 BLOCK                                      4176.92

タワチ    4176.92

2 入ミキリ    4.39

4 入ミキリ    4.33

コウケイ =                                      4176.92                                      8.72

19 BLOCK

| テコメイ  | X            | Y           | (X-X0)*(YN-1-Y0) | (XN-1-X0)*(Y-Y0) |
|-------|--------------|-------------|------------------|------------------|
| X0.Y0 | - 153700.000 | - 31900.000 |                  |                  |
| 19-1  | - 153756.169 | - 32109.502 |                  |                  |
| 19-5  | - 153744.160 | - 32087.183 | + 9251.608320    | + 10513.881927   |
| 19-6  | - 153745.676 | - 32083.818 | + 8549.770708    | + 8117.402880    |
| 19-3  | - 153800.921 | - 32070.210 | + 18551.096378   | + 7774.511960    |
| 19-7  | - 153763.288 | - 32000.238 | + 10772.250480   | + 10116.119198   |
| 19-8  | - 153764.769 | - 31996.891 | + 6492.315022    | + 6132.037608    |
| K28   | - 153779.028 | - 31993.422 | + 7657.101948    | + 6050.849518    |
| K29   | - 153787.410 | - 31991.337 | + 8166.017020    | + 7218.180436    |
| K30   | - 153836.522 | - 32083.698 | + 12469.509914   | + 16057.042180   |
| 19-1  | - 153756.169 | - 32109.502 | + 10318.132962   | + 28601.632044   |
|       |              |             | + 92227.802752   | +100581.657751   |
|       | ハイ           | メンセキ        | =                | 8353.854999      |
|       | メンセキ         |             | =                | 4176.927499      |

27子

| テコメイ  | X            | Y           | (X-X0)*(YN-1-Y0) | (XN-1-X0)*(Y-Y0) |
|-------|--------------|-------------|------------------|------------------|
| X0.Y0 | - 153700.000 | - 31900.000 |                  |                  |
| 19-1  | - 153756.169 | - 32109.502 |                  |                  |
| 19-5  | - 153744.160 | - 32087.183 | + 9251.608320    | + 10513.881927   |
| 19-6  | - 153745.676 | - 32083.818 | + 8549.770708    | + 8117.402880    |
| 19-3  | - 153800.921 | - 32070.210 | + 18551.096378   | + 7774.511960    |
| 19-7  | - 153763.288 | - 32000.238 | + 10772.250480   | + 10116.119198   |
| 19-8  | - 153764.769 | - 31996.891 | + 6492.315022    | + 6132.037608    |
| K28   | - 153779.028 | - 31993.422 | + 7657.101948    | + 6050.849518    |
| K29   | - 153787.410 | - 31991.337 | + 8166.017020    | + 7218.180436    |
| K30   | - 153836.522 | - 32083.698 | + 12469.509914   | + 16057.042180   |
| 19-1  | - 153756.169 | - 32109.502 | + 10318.132962   | + 28601.632044   |
|       |              |             | + 92227.802752   | +100581.657751   |
|       | ハイ           | メンセキ        | =                | 8353.854999      |
|       | メンセキ         |             | =                | 4176.927499      |

2 入ミキリ

| テコメイ  | X            | Y           | (X-X0)*(YN-1-Y0) | (XN-1-X0)*(Y-Y0) |
|-------|--------------|-------------|------------------|------------------|
| X0.Y0 | - 153700.000 | - 32000.000 |                  |                  |
| 19-2  | - 153742.739 | - 32084.541 |                  |                  |
| 19-5  | - 153744.160 | - 32087.183 | + 3733.330560    | + 3726.114237    |
| 19-6  | - 153745.676 | - 32083.818 | + 3982.170708    | + 3701.402880    |
| 19-2  | - 153742.739 | - 32084.541 | + 3582.297502    | + 3861.494716    |
|       |              |             | + 11297.798770   | + 11289.011833   |
|       | ハイ           | メンセキ        | =                | 8.786937         |
|       | メンセキ         |             | =                | 4.393468         |

\*\*\*\*\* カクヒツ メンセキ ケイサン \*\*\*\*\*

4 入ミナリ

| テフメイ  | X            | Y           | (X-X0)*(YN-1-Y0) | (XN-1-X0)*(Y-Y0) |
|-------|--------------|-------------|------------------|------------------|
| X0.Y0 | - 153700.000 | - 31900.000 |                  |                  |
| 19-4  | - 153761.867 | - 31997.597 |                  |                  |
| 19-7  | - 153763.288 | - 32000.238 | + 6176.718936    | + 6201.424346    |
| 19-8  | - 153764.769 | - 31996.891 | + 6492.315022    | + 6132.037608    |
| 19-4  | - 153761.867 | - 31997.597 | + 5994.355497    | + 6321.260093    |
|       |              |             | + 18663.389455   | + 18654.722047   |
|       |              | ハイ          | =                | 8.667408         |
|       |              | メツセキ        | =                | 4.333704         |

\*\*\*\*\* カクヒツ メンセキ シユウケイ ヒヨウ \*\*\*\*\*

カクヒツ . カクヒツ

カクヒツ メンセキ

入ミキリ メンセキ

19 BLOCK

4176.92

1 LOT

1949.15

2 LOT

2227.77

2 入ミキリ

4.39

4 入ミキリ

4.33

コウケイ =

4176.92

8.72



\*\*\*\*\* カクヒツ メンセキ ケイザン \*\*\*\*\*

19 BLOCK

| テコメイ  | X            | Y           | (X-X0)*(YN-1-Y0) | (XN-1-X0)*(Y-Y0) |
|-------|--------------|-------------|------------------|------------------|
| X0.Y0 | - 153700.000 | - 31900.000 |                  |                  |
| 19-1  | - 153756.169 | - 32109.502 |                  |                  |
| 19-5  | - 153744.160 | - 32087.183 | + 9251.608320    | + 10513.881927   |
| 19-6  | - 153745.676 | - 32083.818 | + 8549.770708    | + 8117.402880    |
| 19-3  | - 153800.921 | - 32070.210 | + 18551.096378   | + 7774.511960    |
| 19-7  | - 153763.288 | - 32000.238 | + 10772.250480   | + 10116.119198   |
| 19-8  | - 153764.769 | - 31996.891 | + 6492.315022    | + 6132.037608    |
| K28   | - 153779.028 | - 31993.422 | + 7657.101948    | + 6050.849518    |
| K29   | - 153787.410 | - 31991.337 | + 8166.017020    | + 7218.180436    |
| K30   | - 153836.522 | - 32083.698 | + 12469.509914   | + 16057.042180   |
| 19-1  | - 153756.169 | - 32109.502 | + 10318.132962   | + 28601.632044   |
|       |              |             | + 92227.802752   | +100581.657751   |
|       | ハイ           | メンセキ        | =                | 8353.854999      |
|       | メンセキ         |             | =                | 4176.927499      |

1 LOT

| テコメイ  | X            | Y           | (X-X0)*(YN-1-Y0) | (XN-1-X0)*(Y-Y0) |
|-------|--------------|-------------|------------------|------------------|
| X0.Y0 | - 153700.000 | - 32000.000 |                  |                  |
| 19-1  | - 153756.169 | - 32109.502 |                  |                  |
| 19-5  | - 153744.160 | - 32087.183 | + 4835.608320    | + 4896.981927    |
| 19-6  | - 153745.676 | - 32083.818 | + 3982.170708    | + 3701.402880    |
| 19-3  | - 153800.921 | - 32070.210 | + 8458.996378    | + 3206.911960    |
| 19-10 | - 153804.179 | - 32076.268 | + 7314.407590    | + 7697.042828    |
| 19-9  | - 153828.438 | - 32068.495 | + 9795.709384    | + 7135.740605    |
| K30   | - 153836.522 | - 32083.698 | + 9351.074390    | + 10750.003724   |
| 19-1  | - 153756.169 | - 32109.502 | + 4701.232962    | + 14949.432044   |
|       |              |             | + 48439.199732   | + 52337.515968   |
|       | ハイ           | メンセキ        | =                | 3898.316236      |
|       | メンセキ         |             | =                | 1949.158118      |

2 LOT

| テコメイ  | X            | Y           | (X-X0)*(YN-1-Y0) | (XN-1-X0)*(Y-Y0) |
|-------|--------------|-------------|------------------|------------------|
| X0.Y0 | - 153700.000 | - 31900.000 |                  |                  |
| 19-3  | - 153800.921 | - 32070.210 |                  |                  |
| 19-7  | - 153763.288 | - 32000.238 | + 10772.250480   | + 10116.119198   |
| 19-8  | - 153764.769 | - 31996.891 | + 6492.315022    | + 6132.037608    |
| K28   | - 153779.028 | - 31993.422 | + 7657.101948    | + 6050.849518    |
| K29   | - 153787.410 | - 31991.337 | + 8166.017020    | + 7218.180436    |
| 19-9  | - 153828.438 | - 32068.495 | + 11731.141606   | + 14728.147950   |
| 19-10 | - 153804.179 | - 32076.268 | + 17553.640605   | + 22639.509384   |
| 19-3  | - 153800.921 | - 32070.210 | + 17789.142828   | + 17732.307590   |
|       |              |             | + 80161.609509   | + 84617.151684   |
|       | ハイ           | メンセキ        | =                | 4455.542175      |
|       | メンセキ         |             | =                | 2227.771087      |

\*\*\*\*\* カクヒツ メンセキ ケイサン \*\*\*\*\*

2 スミキリ

| チンメイ  | X            | Y           | (X-X0)*(YN-1-Y0) | (XN-1-X0)*(Y-Y0) |
|-------|--------------|-------------|------------------|------------------|
| X0.Y0 | - 153700.000 | - 32000.000 |                  |                  |
| 19-2  | - 153742.739 | - 32084.541 |                  |                  |
| 19-5  | - 153744.160 | - 32087.183 | + 3733.330560    | + 3726.114237    |
| 19-6  | - 153745.676 | - 32083.818 | + 3982.170708    | + 3701.402880    |
| 19-2  | - 153742.739 | - 32084.541 | + 3582.297502    | + 3861.494716    |
|       |              |             | + 11297.798770   | + 11289.011833   |
|       |              | ハイ          | =                |                  |
|       |              | メンセキ        | =                | 8.786937         |
|       |              |             |                  | 4.393468         |

4 スミキリ

| チンメイ  | X            | Y           | (X-X0)*(YN-1-Y0) | (XN-1-X0)*(Y-Y0) |
|-------|--------------|-------------|------------------|------------------|
| X0.Y0 | - 153700.000 | - 31900.000 |                  |                  |
| 19-4  | - 153761.867 | - 31997.597 |                  |                  |
| 19-7  | - 153763.288 | - 32000.238 | + 6176.718936    | + 6201.424346    |
| 19-8  | - 153764.769 | - 31996.891 | + 6492.315022    | + 6132.037608    |
| 19-4  | - 153761.867 | - 31997.597 | + 5994.355497    | + 6321.260093    |
|       |              |             | + 18663.389455   | + 18654.722047   |
|       |              | ハイ          | =                |                  |
|       |              | メンセキ        | =                | 8.667408         |
|       |              |             |                  | 4.333704         |